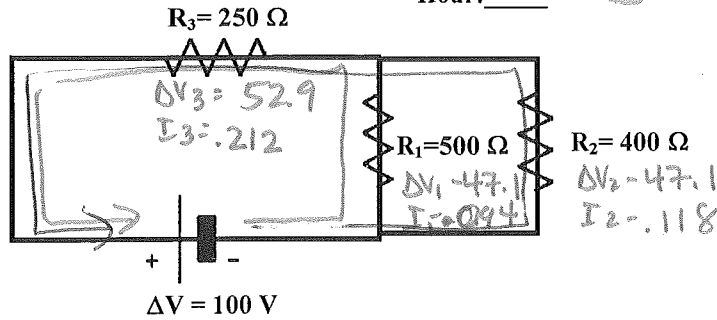


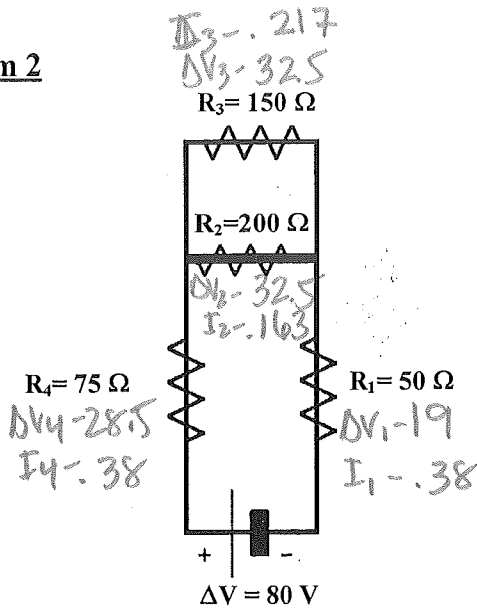
Extra practice for quiz
Problem 1

Name: Key
Hour: _____



$\Delta V = 100 \text{ V}$
Req = 472.2 Ω Total Current = 0.212 A
 $\Delta V_2 =$ 47.1 V $I_1 =$ 0.094 A

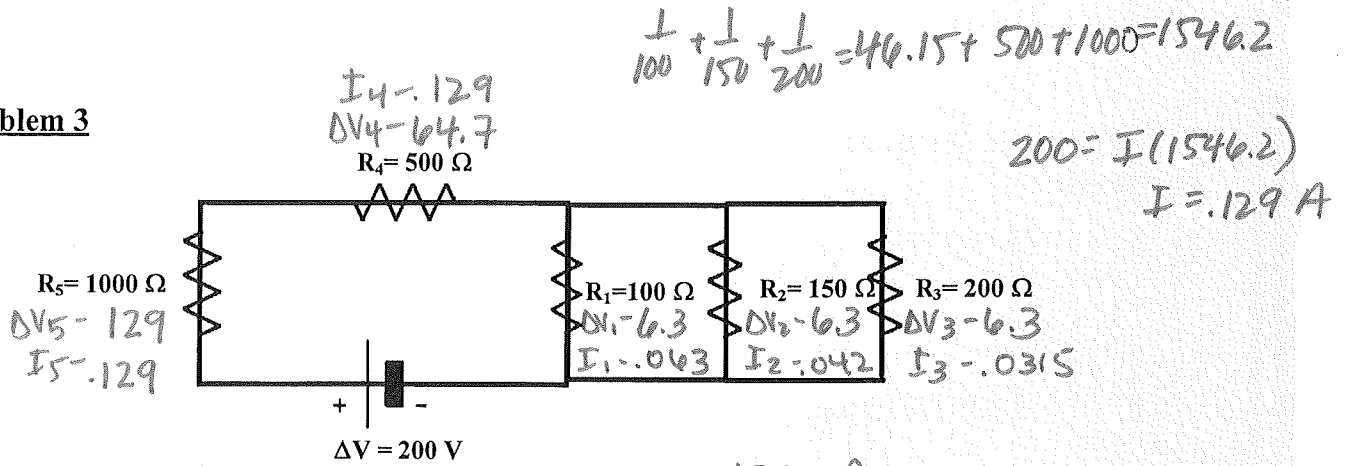
Problem 2



$\frac{1}{200} + \frac{1}{150} = 85.7 + 50 + 75 = 210.7$
 $80 = I(210.7)$

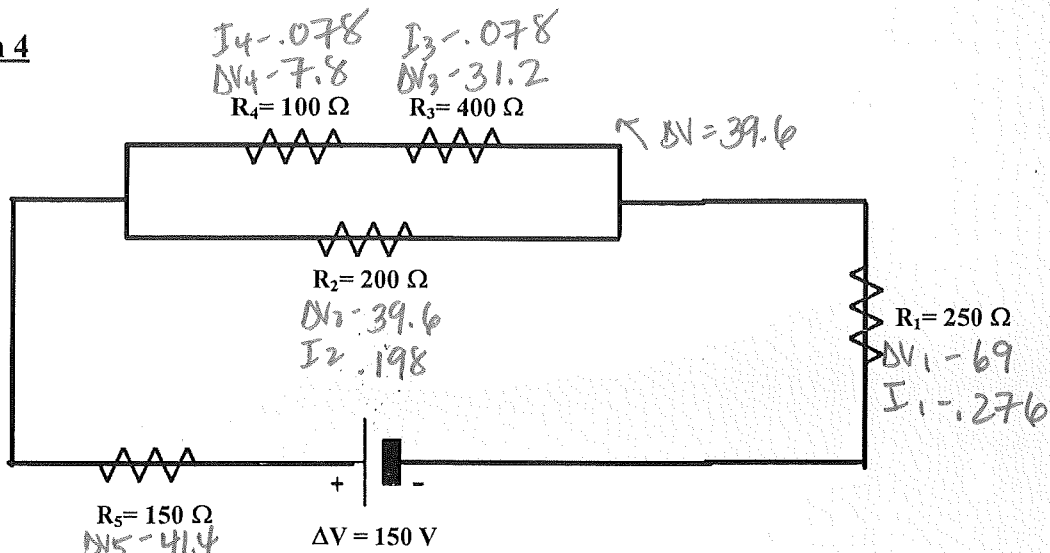
Req = 210.7 Ω Total Current = 0.38 A
 $\Delta V_2 =$ 32.5 V $I_3 =$.217 A

Problem 3



$R_{eq} = \underline{1546.2 \Omega}$ Total Current = $\underline{.129 \text{ A}}$
 $\Delta V_2 = \underline{6.3 \text{ V}}$ $I_3 = \underline{.0315 \text{ A}}$

Problem 4



$R_{eq} = \underline{542.86}$ Total Current = $\underline{0.276}$
 $\Delta V_2 = \underline{39.6 \text{ V}}$ $I_2 = \underline{.198 \text{ A}}$ $I_3 = \underline{.078 \text{ A}}$

$\frac{1}{200} + \frac{1}{(100+400)} = 142.86 + 250 + 150 = 542.86 \Omega$

$150 = I(542.86)$
 $I = .276 \text{ A}$